

DS-2CD3123G0-I(S) 2 MP IR Fixed Dome Network Camera



- 1/2.8" Progressive Scan CMOS
- 1920 × 1080@30fps
- 2.8/4/6 mm fixed lens
- Color: 0.01 Lux @ (F1.2, AGC ON), 0.028 Lux @ (F2.0, AGC ON), 0 Lux with IR
- H.265, H.265+, H.264, H.264+
- Three streams
- 120dB WDR
- BLC/3D DNR/ROI/HLC
- IP67, IK10
- Built-in micro SD/SDHC/SDXC card slot, up to 128 GB
- 3-Axis adjustment



Specifications

Camera	
Image Sensor	1/2.8" Progressive Scan CMOS
Min. Illumination	Color: 0.01 Lux @ (F1.2, AGC ON), 0.028 Lux @ (F2.0, AGC ON), 0 Lux with IR
Shutter Speed	1/3 s to 1/100,000 s
Slow Shutter	Yes
Day & Night	IR Cut Filter
Digital Noise Reduction	3D DNR
WDR	120 dB
Angle Adjustment	Pan: 0° to 355°, tilt: 0° to 75°, rotate: 0° to 355°
Lens	
Focal length	2.8/4/6/8 mm
Aperture	F2.0
Focus	Fixed
FOV	2.8 mm, horizontal FOV: 114°, vertical FOV: 62°, diagonal FOV: 135° 4 mm, horizontal FOV: 86°, vertical FOV: 46°, diagonal FOV: 102° 6 mm, horizontal FOV: 54°, vertical FOV: 30°, diagonal FOV: 62°
Lens Mount	M12
IR	
IR Range	Up to 40 m
Wavelength	850 nm
Compression Standard	
Video Compression	Main stream: H.265/H.264 Sub-stream: H.265/H.264/MJPEG Third stream: H.265/H.264/MJPEG
H.264 Type	Main Profile/High Profile
H.264+	Main stream supports
H.265 Type	Main Profile
H.265+	Main stream supports
Video Bit Rate	256 Kbps to 16 Mbps
Smart Feature-Set	
Smart Event	Line crossing detection, up to 1 line configurable Intrusion detection, up to 1 region configurable Unattended baggage detection, up to 1 region configurable Object removal detection, up to 1 region configurable Face detection: detects faces Scene change detection
Basic Event	Motion detection, video tampering alarm, exception (network disconnected, IP address conflict, illegal login, HDD full, HDD error)
Face Detection	Yes

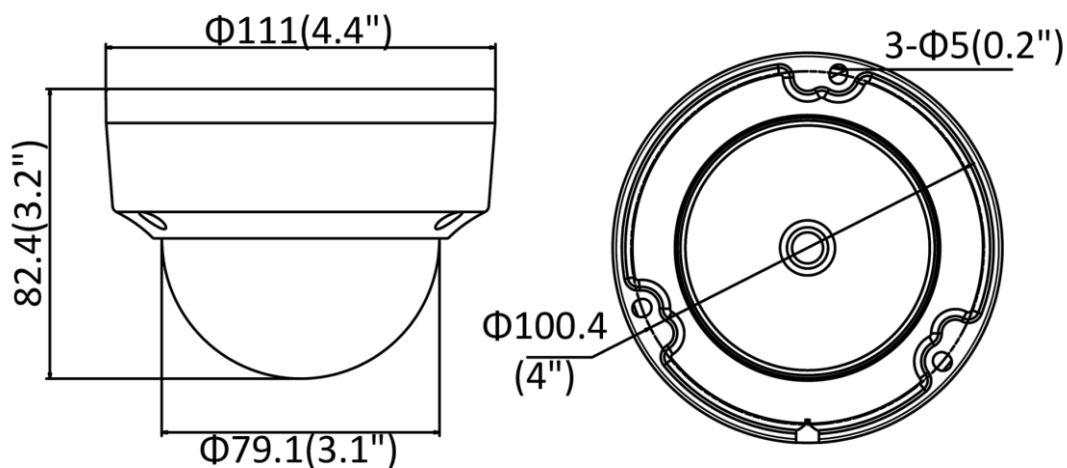
Linkage Method	Trigger recording: memory card, network storage, pre-record and post-record Trigger captured pictures uploading: FTP, HTTP, NAS, Email Trigger notification: HTTP, ISAPI, alarm output(-S), Email
Region of Interest	5 fixed region for main stream and sub-stream
Image	
Max. Resolution	1920 × 1080
Main Stream	50Hz: 25fps (1920 × 1080, 1280 × 960, 1280 × 720) 60Hz: 30fps (1920 × 1080, 1280 × 960, 1280 × 720)
Sub-stream	50Hz: 25fps (640 × 480, 640 × 360, 320 × 240) 60Hz: 30fps (640 × 480, 640 × 360, 320 × 240)
Third Stream	50Hz: 25fps (1920 × 1080, 1280 × 720, 640 × 360, 352 × 288) 60Hz: 30fps (1920 × 1080, 1280 × 720, 640 × 360, 352 × 240)
Image Enhancement	BLC/3D DNR/HLC
Image Settings	Rotate mode , saturation, brightness, contrast, sharpness, AGC, and white balance are adjustable by client software or web browser
Day/Night Switch	Day/Night/Auto/Schedule/Triggered by alarm in (-S)
Network	
Network Storage	Support Micro SD/SDHC/SDXC card (128G), local storage and NAS (NFS,SMB/CIFS), ANR
Protocols	TCP/IP, UDP, ICMP, HTTP, HTTPS, FTP, DHCP, DNS, DDNS, RTP, RTSP, RTCP, PPPoE, NTP, UPnP, SMTP, SNMP, IGMP, 802.1X, QoS, IPv6, UDP, Bonjour, SSL/TLS
General Function	Anti-flicker, three streams , heartbeat, mirror, privacy masks, password reset via e-mail, pixel counter, HTTP listening
API	ONVIF (PROFILE S, PROFILE G, PROFILE T), ISAPI, SDK, Ehome
Security	Password protection, complicated password, HTTPS encryption, 802.1X authentication (EAP-TLS 1.2, EAP-LEAP, EAP-MD5), watermark, IP address filter, basic and digest authentication for HTTP/HTTPS, WSSE and digest authentication for ONVIF, TLS1.2
Simultaneous Live View	Up to 6 channels
User/Host	Up to 32 users, 3 levels: administrator, operator and user
Client	iVMS-4200, Hik-Connect, Hik-Central
Web Browser	Plug-in required live view: IE8+ Plug-in free live view: Chr2ome 57.0+, Firefox 52.0+, Safari 11+ Local Service: Chrome 41.0+, Firefox 30.0+
Interface	
Audio (-S)	1 input (line in/mic.in), 1 output (line out), terminal block, mono sound
Communication Interface	1 RJ45 10M/100M self-adaptive Ethernet port
Alarm (-S)	1 input, 1 output (max. 12 VDC, 30 mA), terminal block
On-board storage	Built-in micro SD/SDHC/SDXC slot, up to 128 GB
Reset Button	Yes
Audio (-S)	
Audio Compression	G.711/G.722.1/G.726/MP2L2/PCM/MP3
Audio Bit Rate	64Kbps(G.711)/16Kbps(G.722.1)/16Kbps(G.726)/32-192Kbps(MP2L2)/8Kbps-320Kbps(MP3)

Environment Noise Filtering	Yes
Audio Sampling Rate	8kHz/16 kHz/32 kHz/44.1 kHz/48 kHz
General	
Operating Conditions	-30 °C to +60 °C (-22 °F to +140 °F), humidity 95% or less (non-condensing)
Web Client Language	32 languages English, Russian, Estonian, Bulgarian, Hungarian, Greek, German, Italian, Czech, Slovak, French, Polish, Dutch, Portuguese, Spanish, Romanian, Danish, Swedish, Norwegian, Finnish, Croatian, Slovenian, Serbian, Turkish, Korean, Traditional Chinese, Thai, Vietnamese, Japanese, Latvian, Lithuanian, Portuguese (Brazil)
Power Supply	12 VDC \pm 25%, Φ 5.5 mm coaxial power plug; PoE (802.3af, class 3)
Power Consumption and Current	12 VDC, 0.5A, max. 6W; PoE (802.3af, 36V to 57V), 0.2A to 0.1A, max. 7.5W
Protection Level	IP67, IK10
Material	Metal
Dimensions	Camera: Φ 111 \times 82.4 mm (Φ 4.4" \times 3.2") Package: 134 \times 134 \times 108 mm (5.3" \times 5.3" \times 4.3")
Weight	Camera: Approx. 610 g (1.3 lb.) With Package: Approx. 820 g (1.8 lb.)

Available Model

DS-2CD3123G0-I (2.8/4/6 mm), DS-2CD3123G0-IS (2.8/4/6 mm)

Dimension



Unit: mm(inch)

Accessory



DS-1259ZJ
Inclined Ceiling Mount



DS-1272ZJ-110
Wall Mount



DS-1272ZJ-110B
Wall Mount + Junction Box



DS-1271ZJ-110
Pendant Mount



DS-1280ZJ-DM18
Junction Box



DS-1276ZJ
Corner Mount



DS-1275ZJ
Vertical Pole Mount



DS-1250ZJ
Rain-proof Cap

Distributed by

**Authorised Reseller in Cambodia.
Powercom Group Co., Ltd.**

No.10, Street 420, Sangkat Boeung Trabek,
Khan Chamkarmorn, Phnom Penh, Cambodia.
Tel: (+855)23 990 630; Fax: (+855)23 990 631
Email: info@powercom-group.com
<https://www.powercom-group.com>

**HIKVISION®****Headquarters**

No.555 Qianmo Road, Binjiang District,
Hangzhou 310051, China
T +86-571-8807-5998
overseasbusiness@hikvision.com

Hikvision USA
T +1-909-895-0400
sales.usa@hikvision.com

Hikvision Australia
T +61-2-8599-4233
salesau@hikvision.com

Hikvision India
T +91-22-28469900
sales@pramahikvision.com

Hikvision Canada
T +1-866-200-6690
sales.canada@hikvision.com

Hikvision Thailand
T +662-275-9949
sales.thailand@hikvision.com

Hikvision Europe
T +31-23-5542770
sales.eu@hikvision.com

Hikvision Italy
T +39-0438-6902
info.it@hikvision.com

Hikvision Brazil
T +55 11 3318-0050
Latam.support@hikvision.com

Hikvision Turkey
T +90 (216)521 7070- 7074
sales.tr@hikvision.com

Hikvision Malaysia
T +601-7652-2413
sales.my@hikvision.com

Hikvision UK & Ireland
T +01628-902140
sales.uk@hikvision.com

Hikvision South Africa
Tel: +27 (10) 0351172
sale.africa@hikvision.com

Hikvision France
T +33(0)1-85-330-450
info.fr@hikvision.com

Hikvision Kazakhstan
T +7-727-9730667
nikia.panfilov@hikvision.ru

Hikvision Vietnam
T +84-974270888
sales.vt@hikvision.com

Hikvision UAE
T +971-4-4432090
salesme@hikvision.com

Hikvision Singapore
T +65-6684-4718
sg@hikvision.com

Hikvision Spain
T +34-91-737-16-55
info.es@hikvision.com

Hikvision Tashkent
T +99-87-1238-9438
uzb@hikvision.ru

Hikvision Hong Kong
T +852-2151-1761
info.hk@hikvision.com

Hikvision Russia
T +7-495-669-67-99
saleru@hikvision.com

Hikvision Korea
T +82-(0)31-731-8817
sales.korea@hikvision.com

Hikvision Poland
T +48-22-460-01-50
info.pl@hikvision.com

Hikvision Indonesia
T +62-21-2933759
Sales.Indonesia@hikvision.com

Hikvision Colombia
sales.colombia@hikvision.com